



Additions

To be completed and attached to the Building Permit Application Form

A. Roof
 Roof Material _____
 Roof Sheathing _____
 Rafters _____ x _____ Spacing _____
 or Engineered Trusses _____ Spacing _____

B. Ceiling
 Insulation _____
 Vapour Barrier _____
 Ceiling Joist _____ x _____ Spacing _____
 Ceiling Material _____

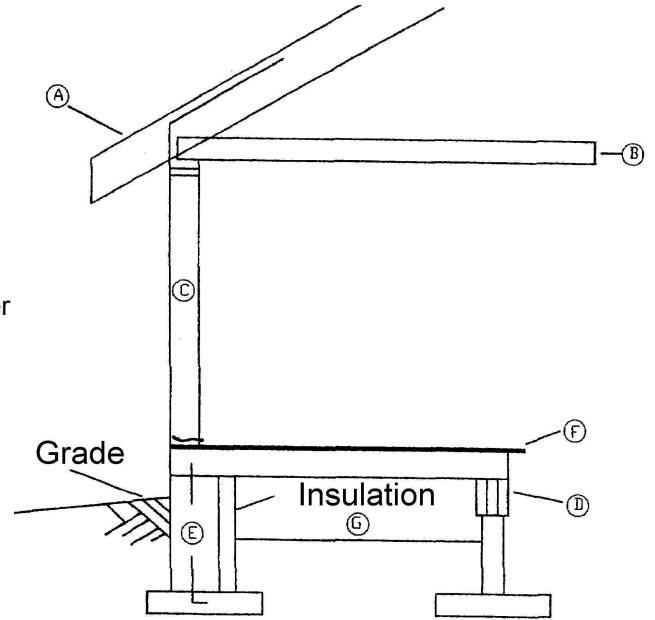
C. Walls
 Double top plate (✓)
 _____ x _____ Studs at _____ on center
 Single bottom plate (✓)
 Insulation _____
 Vapour Barrier _____
 Wall Sheathing _____
 Exterior wall finish _____
 Interior finish _____

D. Beam
 _____ x _____ ply _____ x _____ species
 Supported at _____ on center
 _____ columns
 _____ x _____ x _____ footing

E. Foundation
 _____ inch Concrete foundation wall at least _____ ft. below grade
 Footing _____ wide _____ thick

F. Floor
 _____ underlay _____ sub floor
 _____ x _____ Joist at _____ on center Species Bridging at 7' on center

G. Crawl Space
 2" sand on 6 mil poly or equal (✓)
 Ventilation _____
 Insulation _____



Comments: